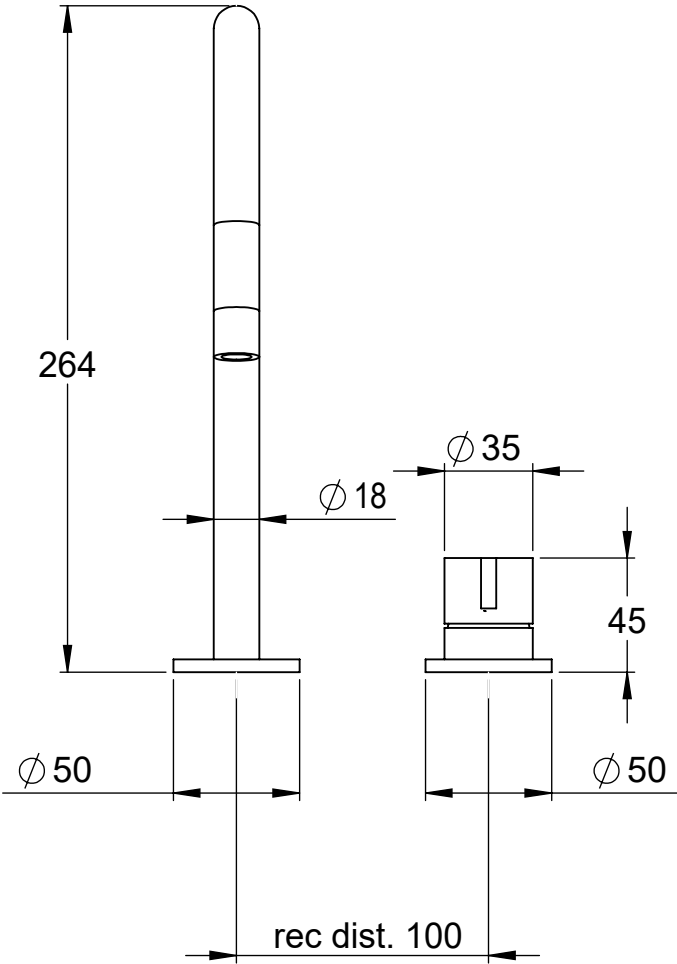
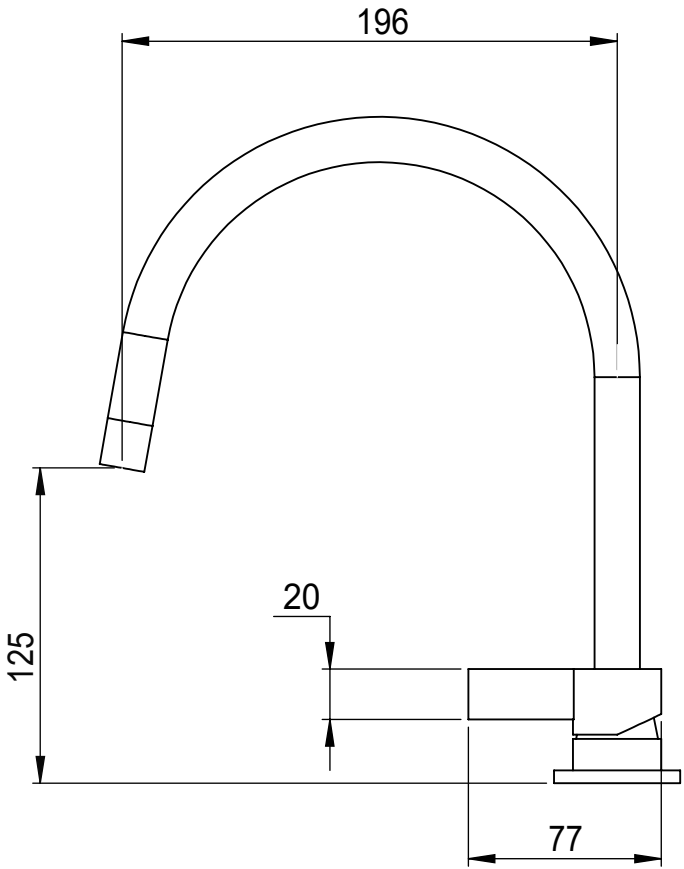


Tapwell

Dimension Drawing

ARM003



Hole Dimension: $\phi 35$
Connection: G 3/8"

Metric (mm)